



DR Series Digital Day & Night Vision Scope

Full-Screen Vision, See Beyond the Dark



OLED

6hrs

OTA

1 Introduction

2 Features

3 Specifications

4 Applications





DR Series

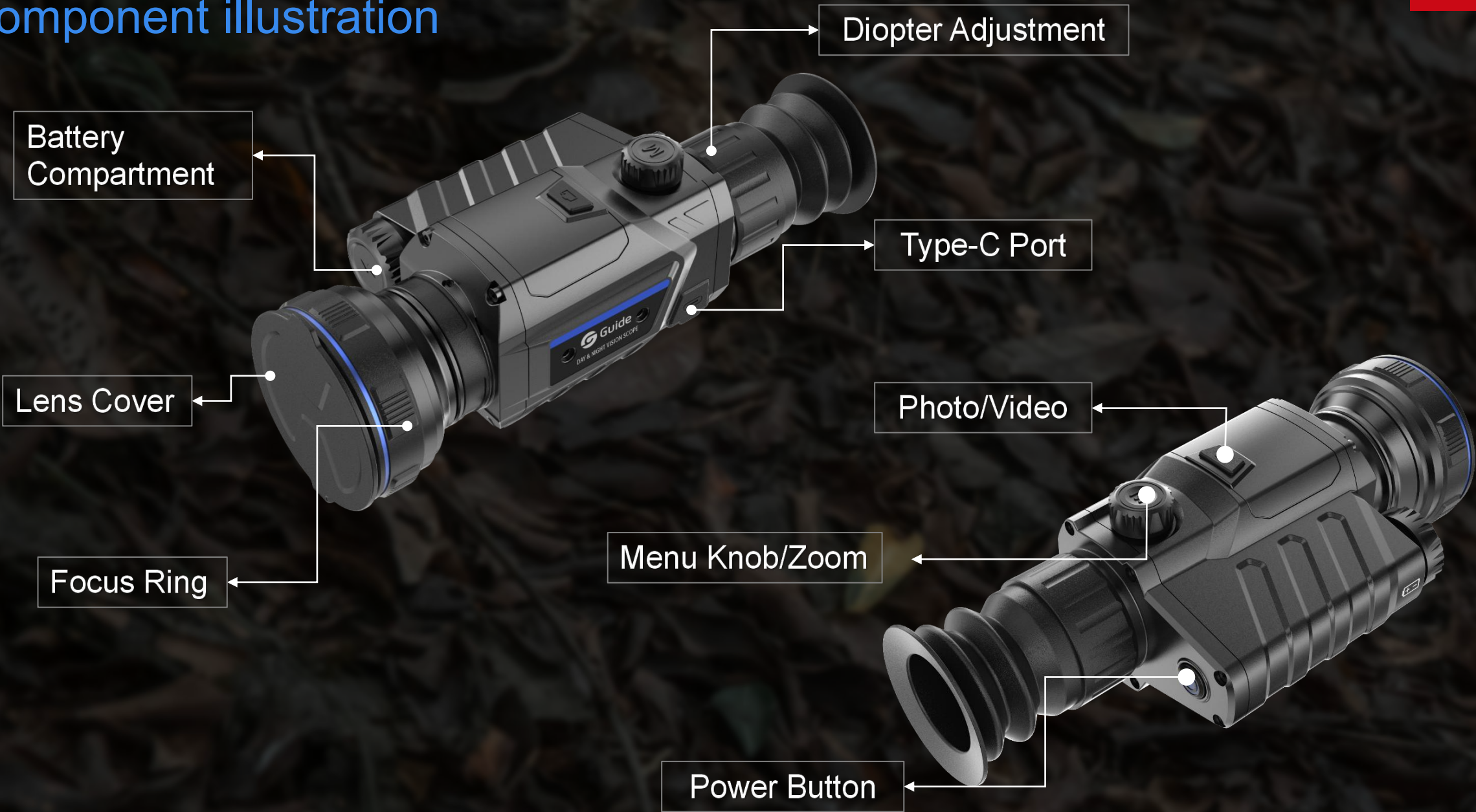
Digital Day & Night Vision Scope

The DR Series is a powerful and professional day and night vision scope with outstanding night vision capability, featuring an excellent $1920 \times 1080 @ 4\mu\text{m}$ CMOS sensor with a 35mm lens to create a large field of view of $12.5^\circ \times 7.06^\circ$, while the 1920×1080 full HD OLED display ensures your viewing experience. The 18650 Li-ion battery lasts up to 6 hours max depending on usage, ever worry about insufficient power during a hunting trip. Elevate your vision with the DR Series!





Component illustration



- 1 Introduction
- 2 **Features**
- 3 Specifications
- 4 Applications



**Ultra-wide field of view,
True full screen**

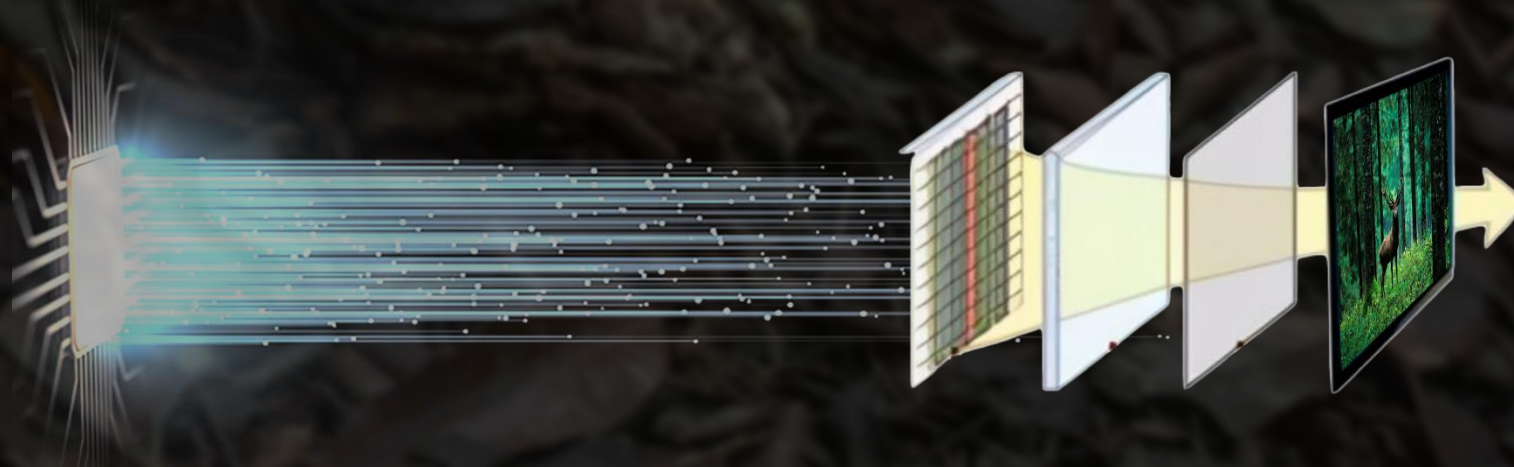




Ultra-wide field of view experience.

The perfect combination of the detector and the screen.

Lossless transmission, what is detected is what is obtained.



CMOS Sensor

1920×1080

The moonlight-grade ultra-low illumination CMOS sensor can still capture clear full-color images under low lighting conditions (0.001 lux).

OLED Display

1920×1080

OLED displays have advantages such as higher contrast, wider color gamut, and faster response speed, enabling them to present more realistic and delicate images.



Visual effect comparison

Other brand A

Sensor: 1920×1080
OLED : 1024×768
Focal length : 50mm
FOV: 6.4°×3.6°



Other brand B

Sensor:1920×1080
OLED :1280×960
Focal length : 35mm
FOV: 8.4°×6.3°



Guide DR30

Sensor:1920×1080
OLED :1920×1080
Focal length : 35mm
FOV: 12.5°×7.06°

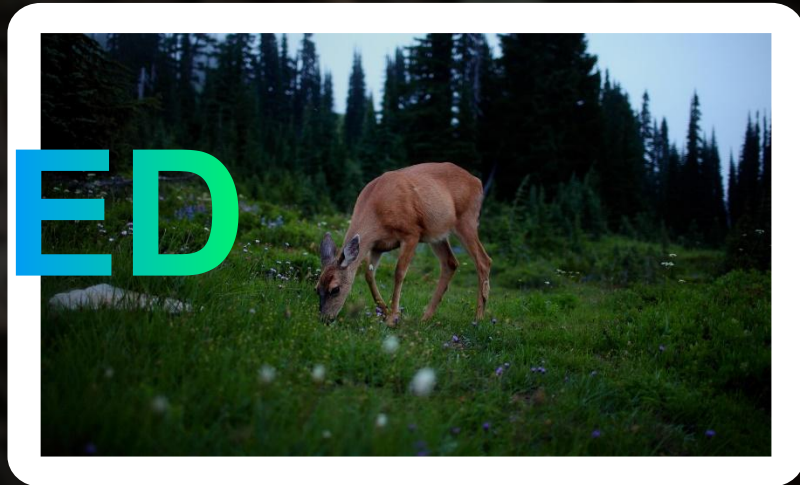




Screen recording

FULL HD

OLED



VIDEO

0.39-inch OLED display provides with excellent viewing experience

Screen recording to record the whole operation process for sharing

Image algorithm upgrade





Clear Nighttime Imaging

Upgraded algorithms balance the image brightness on the display when using the scope with an IR illuminator. Additionally, they eliminate flood exposure from foreground objects and increase the brightness of distant objects to a comfortable level, thus offering exceptional crisp images with less noise, ensuring a professional nighttime outdoor experience.



Other brand A

DR



Other brand A

DR



Time: 2023.05.10 10:00
Lighting environment: 30000 LUX

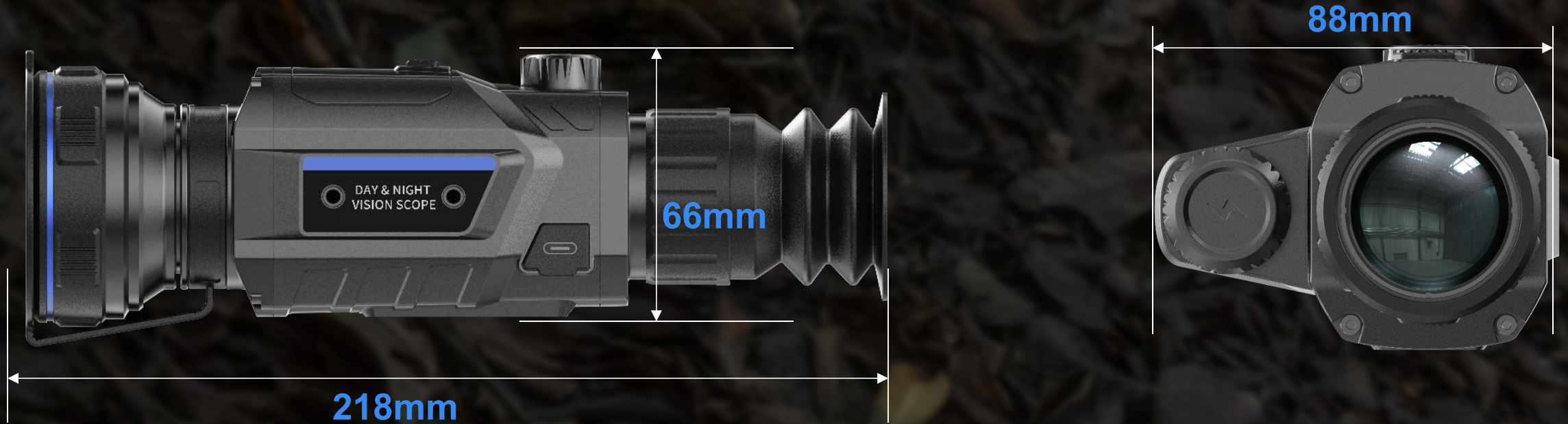
Time : 2023.05.10 20:00
Lighting environment: 1 LUX

Compact and Portable





DR30



Weight: 565g

Safe and Durable





800G/1ms

CE FC EAC UK CA IP67 RoHS 

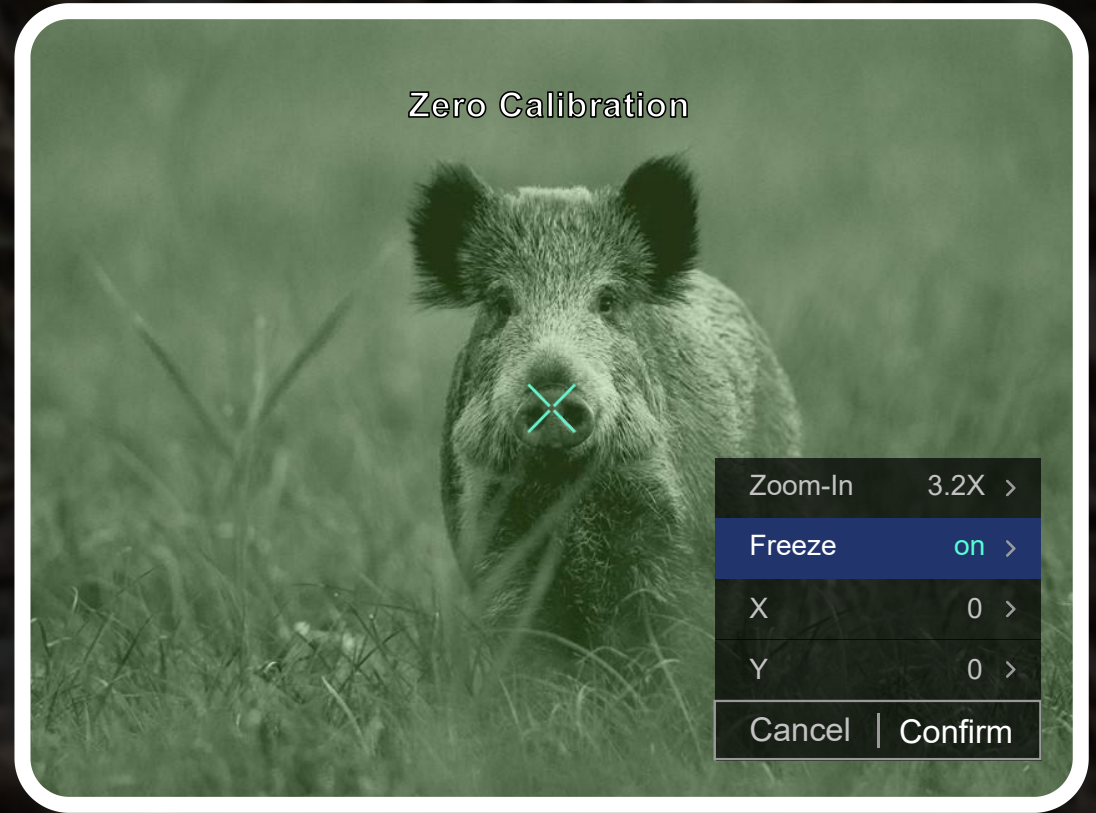
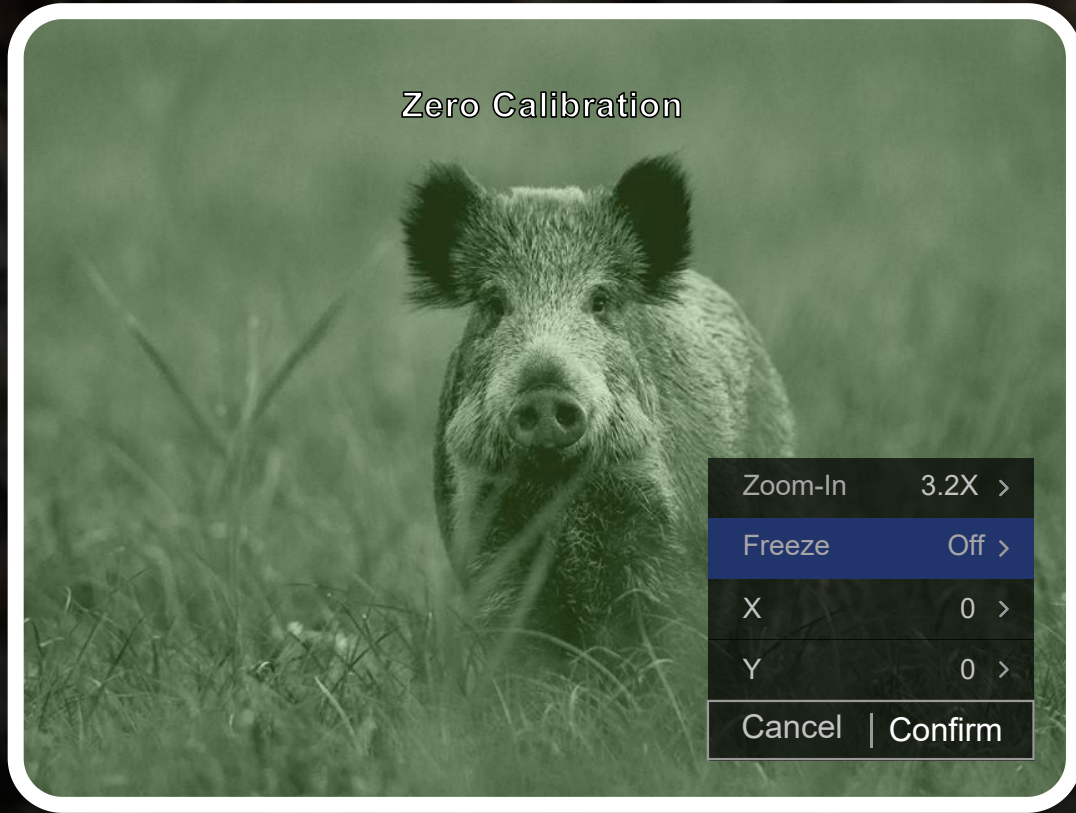


6h Super Long Battery Life



One-touch Freeze

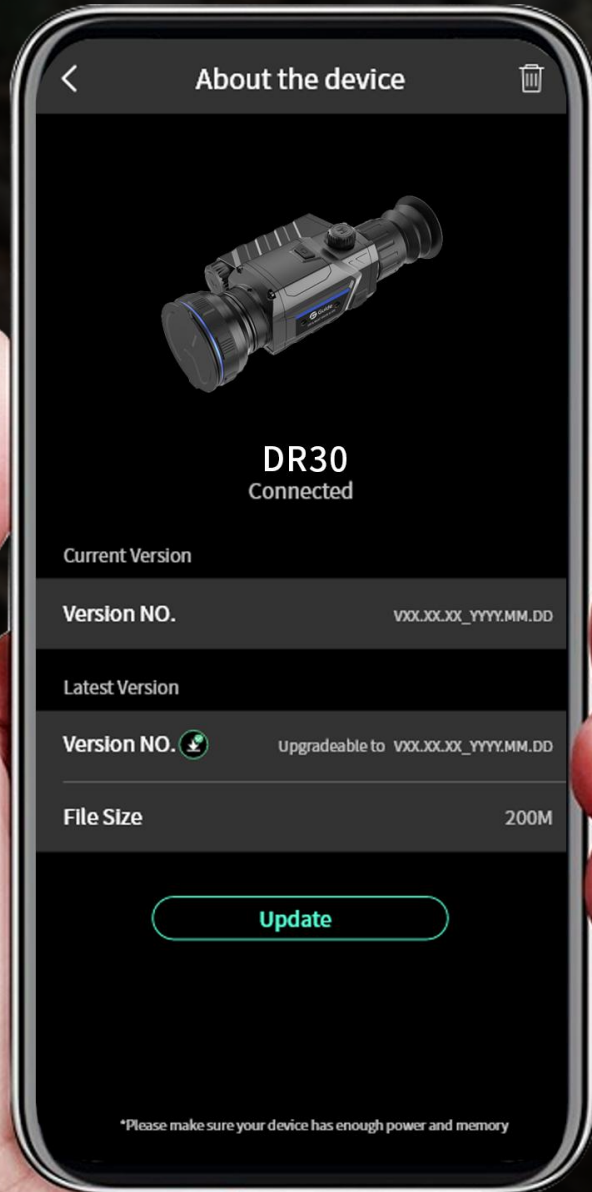




This operation prevents the deviation caused by the artificial movement of the scope when adjusting the trajectory.

Remote Upgrade





OTA Upgrade

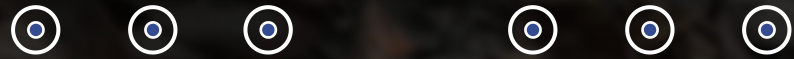
Connect to APP (Android or iOS) for
OTA upgrade, quick and convenient



Target IR

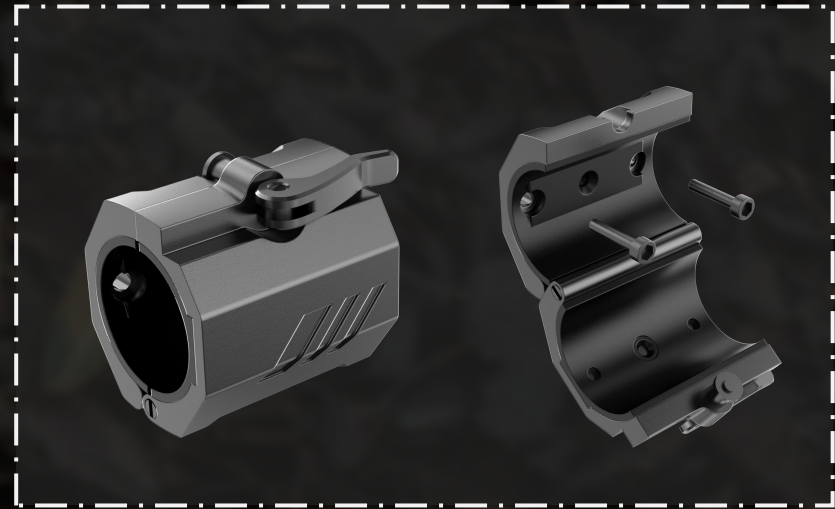


More Advantages





Standard IR illuminator +
Customized quick release bracket

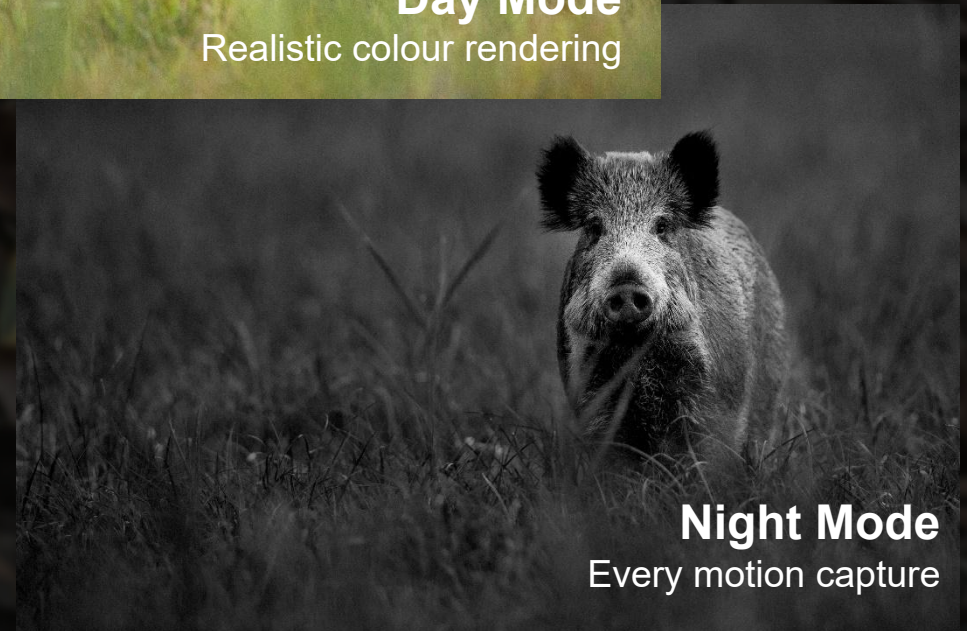
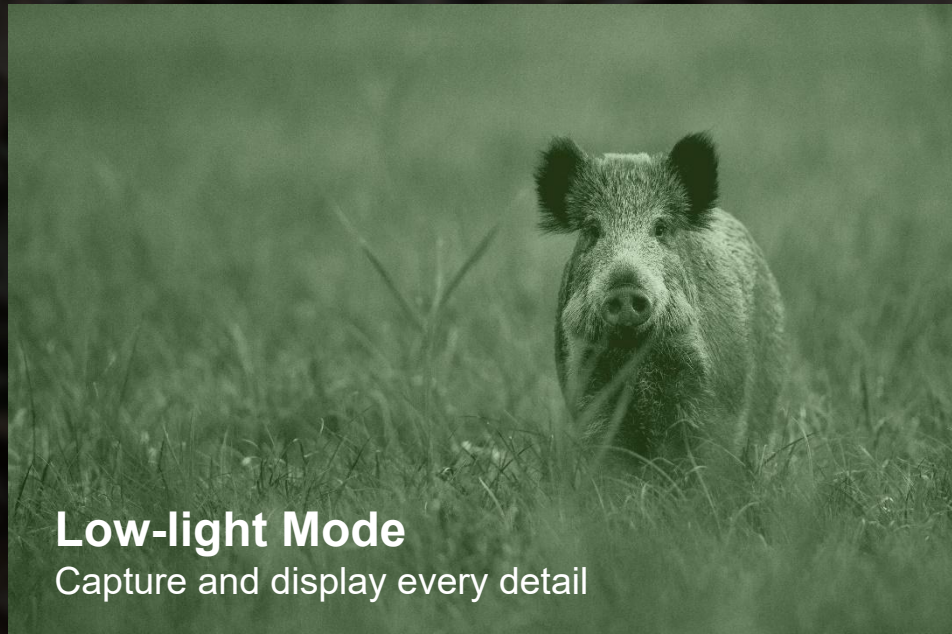
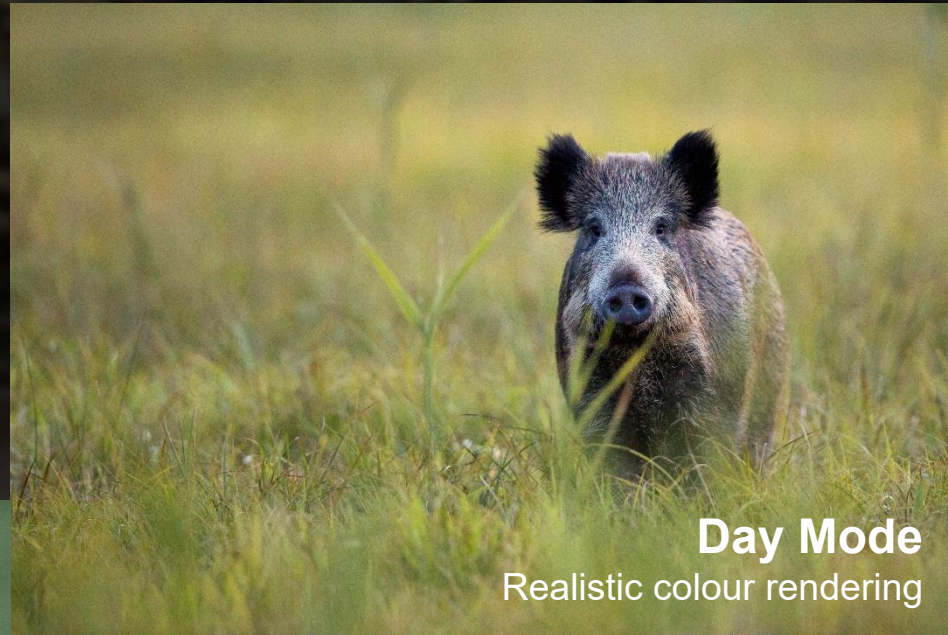




**External
laser range finder**

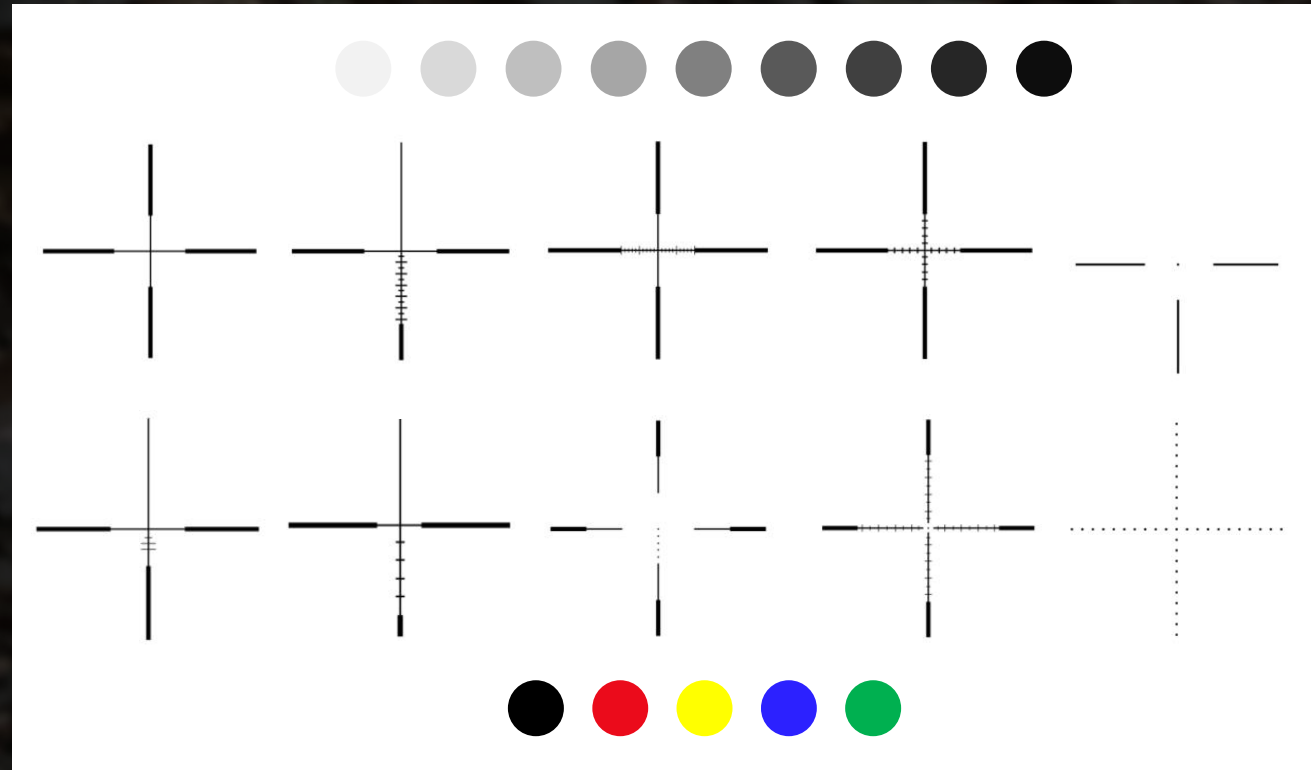


Three Viewing Modes



Customizable Reticle

- ✓ **10** Reticle Types
- ✓ **6** Colors
- ✓ **10** Levels of Reticle Brightness



- 1 Introduction
- 2 Features
- 3 **Specifications**
- 4 Applications



Specifications

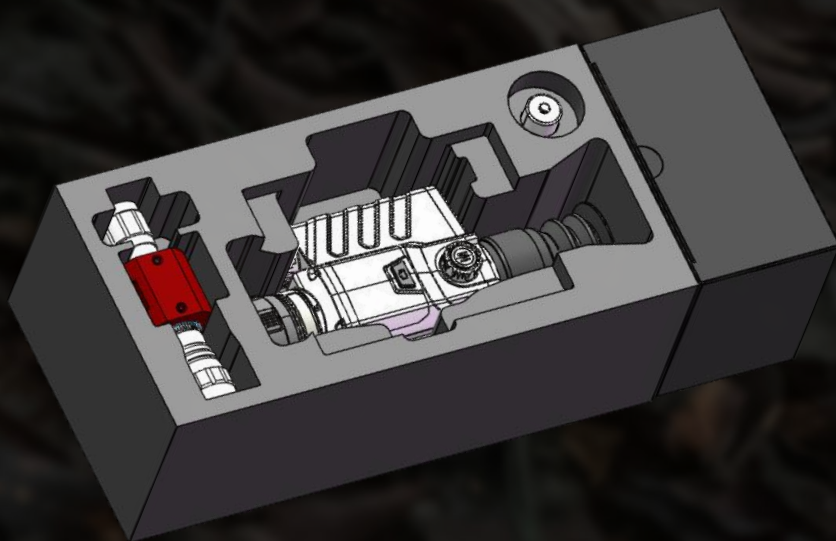


Product model	DR30
Sensor	
Sensor type	CMOS
Resolution	1920×1080@4μm
Frame rate	50Hz
Lens	
Focal length	35mm F1.2
Field of view	12.52°x7.06°
Optical zoom	2.175x
Digital zoom	1x~8x
Focus	Manual
Display	
Display type	0.39" OLED
Resolution	1920×1080@4.5um, FHD
Eyepiece	Eye relief≥48 mm
Video output	Analog video
Power	
Battery type	Single, replaceable 18650 battery
Battery life	6 hours
Interface	
USB	USB Type-C
Mechanical interface	Picatinny

Product model	DR30
Functions	
Recording function	Photo/Video
WIFI	Transmission of real-time video via WIFI for remote control in the 2.4G frequency band and within 15 meters
Scene modes	Day, Night and Low-light Modes
IR illuminator	850 nm / 940 nm (Alternative)
System	
Language settings	English, Russian, German, French, Chinese, Italian, Spanish, Japanese, Korean, Polish
Memory capacity	32 GB
Environmental	
Operating temperature range	-30°C to 50°C
Storage temperature range	-40°C to 70°C
Humidity	10 % to 95 % non-condensing
Shock	800G/1ms semi-sinoidal IEC60068-2-27
Encapsulation	IP67
Certification	CE, FCC, EAC, RoHS
Detection range	
Detection range	500 (with IR 850 nm) / 450 (with IR 940 nm)
Physical	
Weight	≤565 g (without eye mask and battery)
Size	≤218×66×88 mm (without eye mask)



Accessories Introduction



5V2A adapter (US, Britain, Australia and Europe)



Type C cable x1



18650 battery x1



Battery charger x1



IR illuminator bracket x1



IR illuminator x1



Quick start guide x1



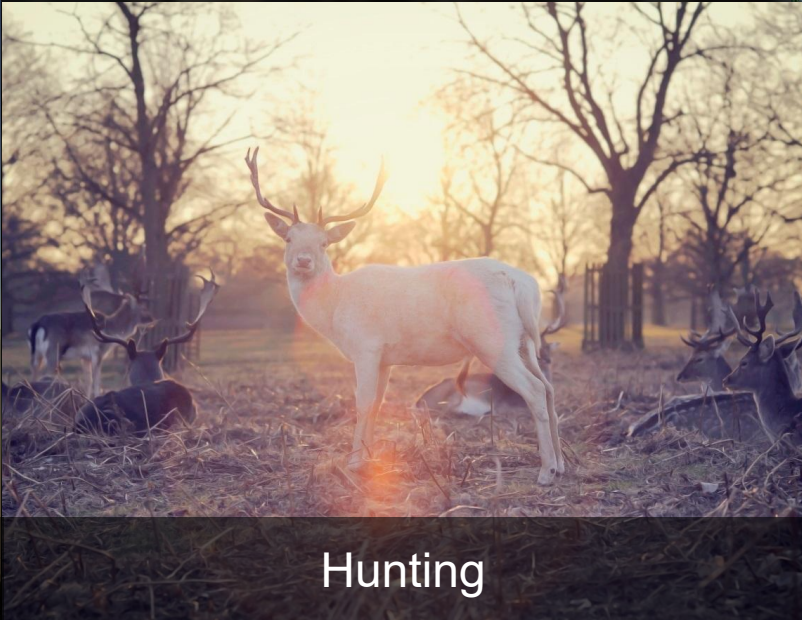
Warranty card x1

- 1 Introduction
- 2 Features
- 3 Specifications
- 4 Applications**





Outdoor



Hunting



Search & Rescue



Livestock Breeding



Personal Security



Law Enforcement

THANKS

Wuhan Guide Sensmart Tech Co., Ltd.

No.6, Huanglong Hill South Road, Wuhan, 430205, P. R. China

T +86 27 8129 8784 E enquiry@guide-infrared.com

 @GuideSensmart  @GuideSensmart

www.guideir.com